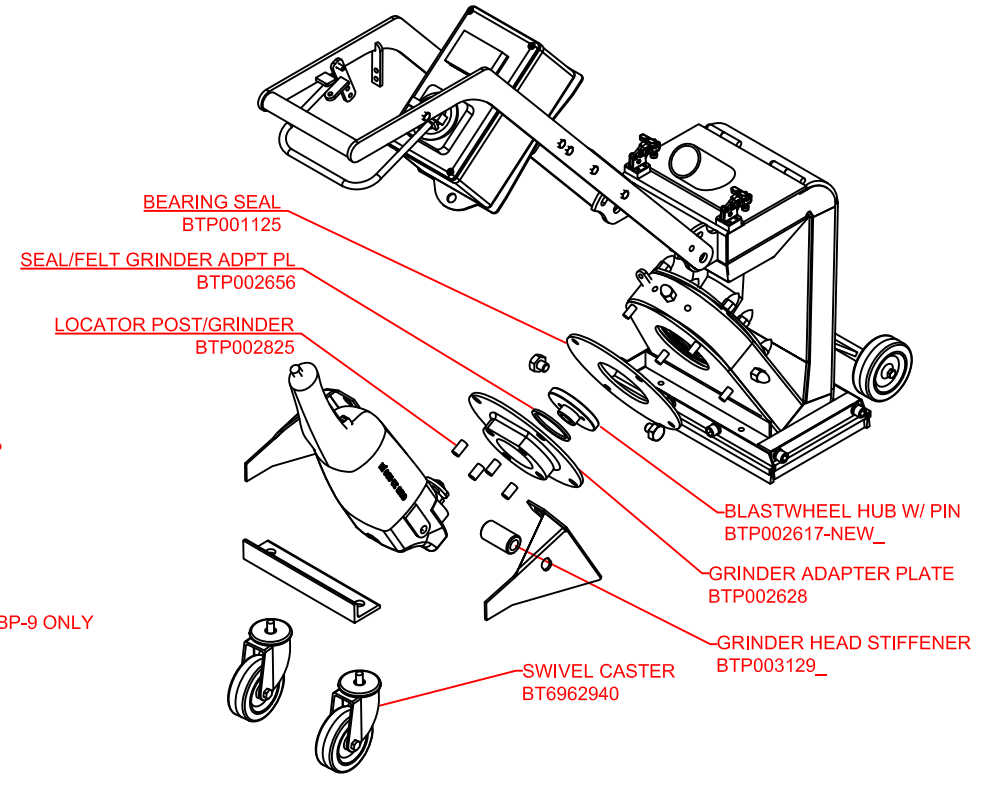
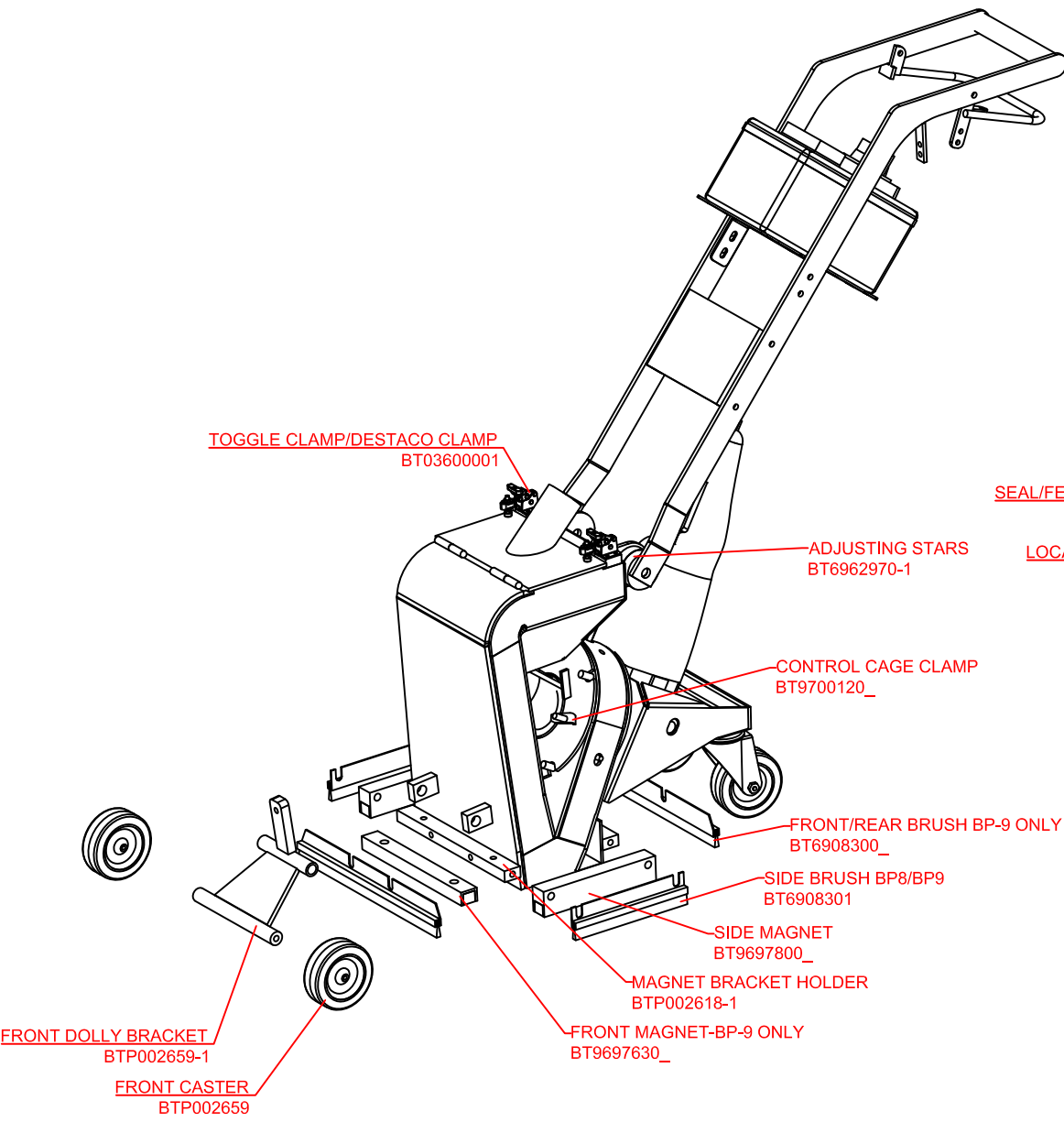


BLASTPRO STICKER KIT: DECAL SET BP9-110V

PART NO.	DESCRIPTION
	BP 9-110 ASSEMBLY SCHEMATIC

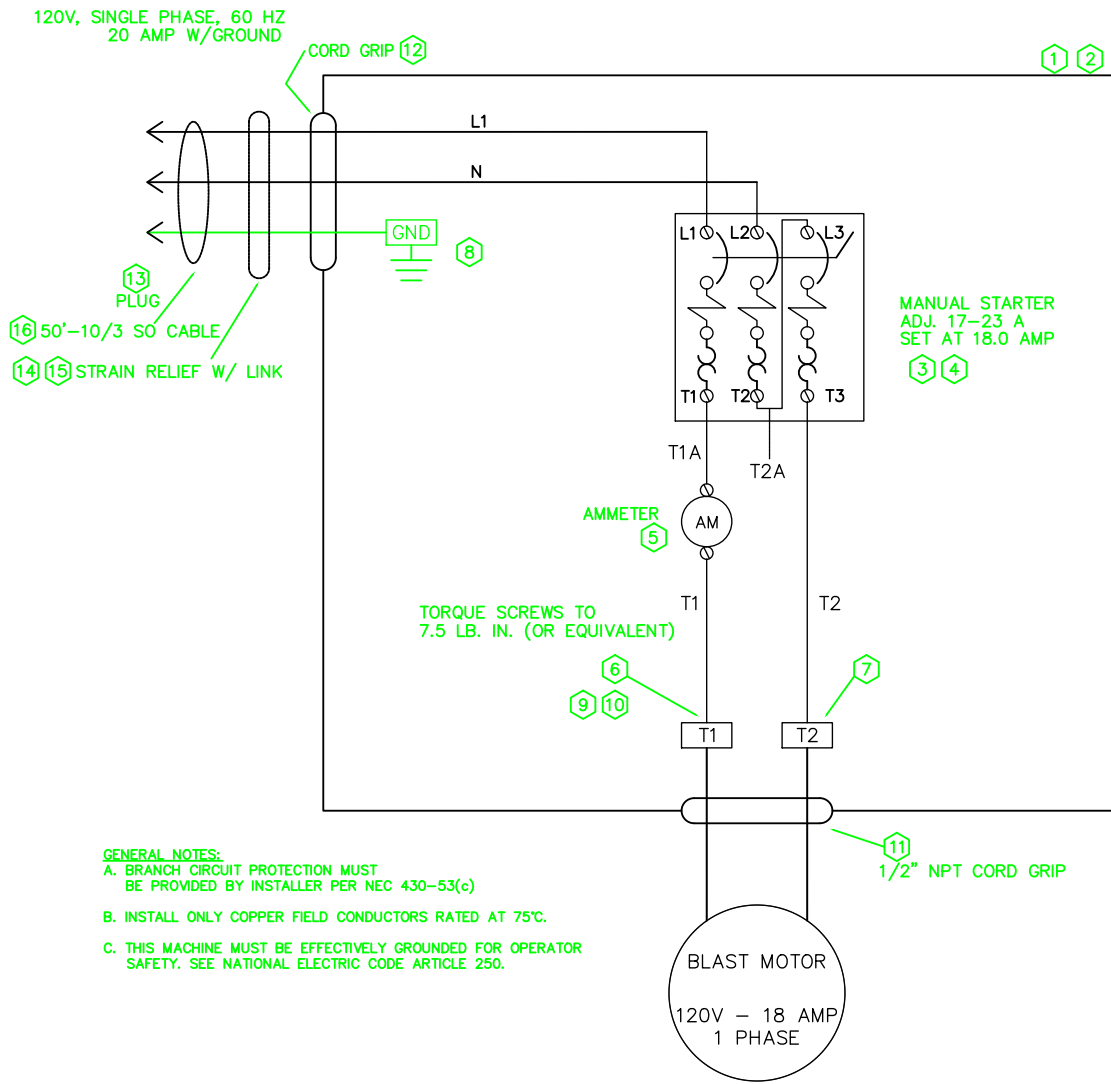
TOLERANCES ANGLES ± .500 1 PL DEC ± .060 2 PL DEC ± .010 3 PL DEC ± .005		BLASTPRO MFG 6021 MELROSE LANE OKLAHOMA CITY, OK 73127 USA	
THIS DRAWING AND THE DESIGN SHOWN THEREIN IS THE EXCLUSIVE PROPERTY OF BLASTPRO MANUFACTURING, INC. ANY REPRODUCTION OR USE OF THIS DRAWING, IN PART OR WHOLE, WITHOUT WRITTEN CONSENT OF THE PROPRIETOR IS PROHIBITED.		SCALE NA	DRAWN BY AJN
		SHEET 1 OF 2	DATE 14 JUN 19



PART NO.	DESCRIPTION
	BP 9-110 ASSEMBLY SCHEMATIC

TOLERANCES		BLASTPRO MFG	6021 MELROSE LANE OKLAHOMA CITY, OK 73127 USA
ANGLES ± .500			
1 PL DEC ± .060	2 PL DEC ± .010		
3 PL DEC ± .005		THIS DRAWING AND THE DESIGN SHOWN THEREIN IS THE EXCLUSIVE PROPERTY OF BLASTPRO MANUFACTURING, INC. ANY REPRODUCTION OR USE OF THIS DRAWING, IN PART OR WHOLE, WITHOUT WRITTEN CONSENT OF THE PROPRIETOR IS PROHIBITED.	
SCALE	DATE	DRAWN BY	
NA	14 JUN 19	AJN	
SHEET			
2 OF 2			

BP9 110 VOLT CONTROL PANEL



- GENERAL NOTES:**
- A. BRANCH CIRCUIT PROTECTION MUST BE PROVIDED BY INSTALLER PER NEC 430-53(c)
 - B. INSTALL ONLY COPPER FIELD CONDUCTORS RATED AT 75°C.
 - C. THIS MACHINE MUST BE EFFECTIVELY GROUNDED FOR OPERATOR SAFETY. SEE NATIONAL ELECTRIC CODE ARTICLE 250.

SCHEMATIC SYMBOLS

- ⊠ = TERMINAL BLOCK
- ⊞ = VOLTAGE SELECTOR SWITCH TERMINAL
- = ELECTRICAL JUNCTION
- ⊙ = COMPONENT TERMINAL AND NUMBER
- = WIRE NUMBER
- (X/Y) = WIRE COLOR AND AWG
- << (xx) = PLUG/RECP TERMINAL NUMBER
- PTT = PUSH TO TEST PILOT LIGHT
- = WIRE EXTERNAL TO ENCLOSURE

TOTAL FLA	LARGEST MOTOR FLA	SUPPLY VOLTAGE
18.0 AMPS	18.0 AMPS	120V
PHASE - 1	ENCLOSURE - TYPE 1	
HERTZ - 60	MODEL - 1-8DEZ	
MAX. BRANCH CIRCUIT PROTECTION	25 AMPS	
SHORT CIRCUIT CURRENT:		
18 kA RMS SYMMETRICAL, 120 V MAXIMUM		

NUMBER	BP PN	DESCRIPTION	QTY
1	P004258	ENCLOSURE, 8X6X4, MODIFIED W/ HOLES	1
2	P004249	ALUMINUM BACK PANEL	1
3	P004250	MOTOR CIRCUIT PROTECTOR, ROTARY OPERATOR, 17-23 AMP	1
4	P004251	MOTOR CIRCUIT PROTECTOR, ROTARY OPERATOR HANDLE, SHAFT & ADAPTOR	1
5		BLASTPRO SUPPLIED AMMETER	1
6	717053	TERMINAL / TERMINAL BLOCK, BLACK	1
7	717052	TERMINAL / RK2.5 - 4 / TERMINAL BLOCK, WHITE	1
8	717050	TERMINAL / GRD TERMINAL BLOCK, SL4/35, 22-10 AWG	1
9	717048	TERMINAL / END BARRIER, KBL6-10 AND AP2.5-10 TERMINAL BLOCK	1
10	717045	TERMINAL / ES35, TERMINAL END STOP	1
11	P003096	CORD GRIP, 0.196 - 0.47" CABLE DIA, 1/2" NPT W/ LOCK NUT	1
12	P003097	CORD GRIP, 0.35 - 0.7" CABLE DIA, 3/4" W/ LOCK NUT	1
13	P000712	PLUG, 2 POLE W/ GROUND, 120VAC, 15 AMP	1
14	P000329	LINK, QUICK, 5/16, CLIP CLOSURE	1
15	714657	STRAIN RELIEF, DOUBLE EYELET, 0.75 CORD DIA	1
16	P003747	WIRE, 10/3 TYPE SOOW CORD, 0.655	50

REV	DESCRIPTION	DATE	BY

REVISION

THIS DRAWING AND THE DESIGN SHOWN THEREIN IS THE PROPERTY OF OKLAHOMA SYSTEMS COMPANY, INC AND USE OR COPIES THEREOF CANNOT BE MADE WITHOUT WRITTEN CONSENT



DATE	4-21-11	DWG.	NO.	BP9 110V	SCALE	NTS	DRWN	ML
BP9 110V BLAST UNIT 60 Hz.					SHEET	1		
SCHEMATIC					OF	2		

